



**KAYGUN
METAL**

www.kaygunmetal.com



SAFETY BARRIER

www.kaygunmetal.com



4-8 SAFETY BARRIER PANELS

CONTENT

9-14 SAFETY PANEL CONNECTING PARTS AND POSTS

15-18 MOBILE FENCE SYSTEMS

18 SCAFFOLDING SYSTEMS

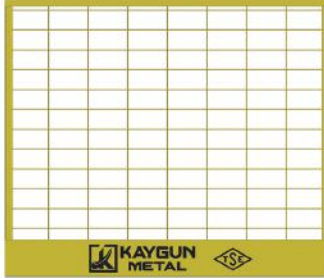
www.kaygunmetal.com

SHEET BARRIERS WITH FIXED POSTS 1,25 M

 **Product Code : OZKB1250**


Barrier 1,25M

- . Electrostatic powder coated (Baked)
- . Stable frame structure
- . Integrated kick (150 mm height from the floor)
- . Shipment on pallet, 75 pieces



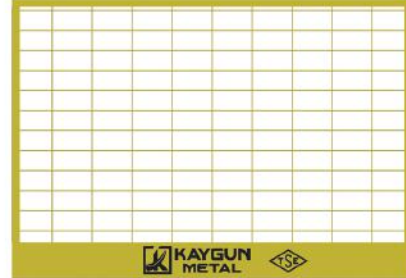
TECHNICAL DETAILS					
Eye Range	Wire Diameter	Sheet Thickness	Panel Height	Panel Width	Panel Weight
75x150 mm	4 mm	1.5 mm	1060 mm	1230 mm	8.30 kg
	4 mm	2 mm	1060 mm	1230 mm	10.20 kg
	3 mm	1.5 mm	1060 mm	1230 mm	7.10 kg
	3 mm	2 mm	1060 mm	1230 mm	8.85 kg

SHEET BARRIERS WITH FIXED POSTS 1,50 M

 **Product Code : OZKB1500**

Barrier 1,50M

- . Electrostatic powder coated (Baked)
- . Stable frame structure
- . Integrated kick (150 mm height from the floor)
- . Shipment on pallet, 75 pieces



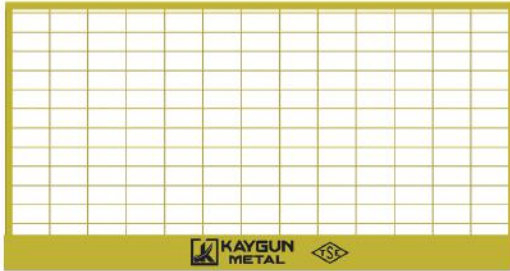
TECHNICAL DETAILS					
Eye Range	Wire Diameter	Sheet Thickness	Panel Height	Panel Width	Panel Weight
75x150 mm	4 mm	1.5 mm	1060 mm	1500 mm	9.50 kg
	4 mm	2 mm	1060 mm	1500 mm	11.70 kg
	3 mm	1.5 mm	1060 mm	1500 mm	8.20 kg
	3 mm	2 mm	1060 mm	1500 mm	10.30 kg

SHEET BARRIERS WITH FIXED POSTS 2,00 M

 **Product Code : OZKB2000**

Barrier 2,00M

- . Electrostatic powder coated (Baked)
- . Stable frame structure
- . Integrated kick (150 mm height from the floor)
- . Shipment on pallet, 75 pieces



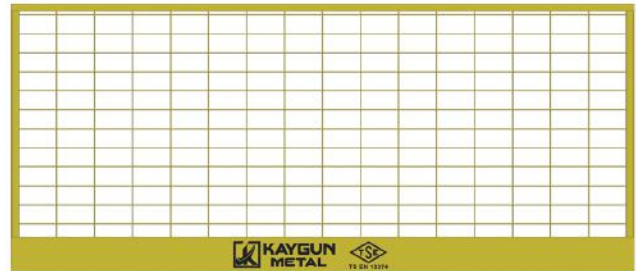
TECHNICAL DETAILS					
Eye Range	Wire Diameter	Sheet Thickness	Panel Height	Panel Width	Panel Weight
75x150 mm	4 mm	1.5 mm	1060 mm	2000 mm	12.20 kg
	4 mm	2 mm	1060 mm	2000 mm	14.90 kg
	3 mm	1.5 mm	1060 mm	2000 mm	10.40 kg
	3 mm	2 mm	1060 mm	2000 mm	13.10 kg

SHEET BARRIERS WITH FIXED POSTS 2,50 M

 **Product Code : OZKB2500**

Barrier 2,50M

- . Electrostatic powder coated (Baked)
- . Stable frame structure
- . Integrated kick (150 mm height from the floor)
- . Shipment on pallet, 75 pieces



TECHNICAL DETAILS					
Eye Range	Wire Diameter	Sheet Thickness	Panel Height	Panel Width	Panel Weight
75x150 mm	4 mm	1.5 mm	1060 mm	2460 mm	14.70 kg
	4 mm	2 mm	1060 mm	2460 mm	17.80 kg
	3 mm	1.5 mm	1060 mm	2460 mm	12.40 kg
	3 mm	2 mm	1060 mm	2460 mm	15.60 kg



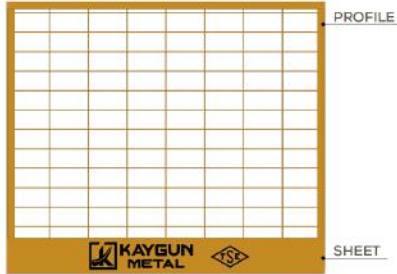
Our products are manufactured as electrostatic powder coated with the desired RAL Codes.

SHEET BARRIERS WITH FIXED POSTS 1,25 M

Product Code : OZKBPRO1250

Barrier 1,25M

- . Electrostatic powder coated (Baked)
- . Stable frame structure
- . Integrated kick (150 mm height from the floor)
- . Shipment on pallet, 75 pieces



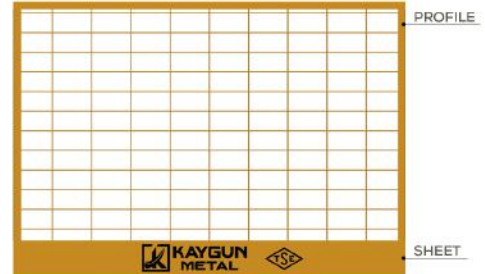
TECHNICAL DETAILS						
Eye Range	Profile	Wire Diameter	Sheet Thickness	Panel Height	Panel Width	Panel Weight
75x150 mm	15x25x1 mm	4 mm	1.5 mm	1060 mm	1230 mm	7.15 kg
		4 mm	2 mm	1060 mm	1230 mm	8.00 kg
		3 mm	1.5 mm	1060 mm	1230 mm	6.00 kg
		3 mm	2 mm	1060 mm	1230 mm	6.90 kg

SHEET BARRIERS WITH FIXED POSTS 1,50 M

Product Code : OZKBPRO1500

Barrier 1,50M

- . Electrostatic powder coated (Baked)
- . Stable frame structure
- . Integrated kick (150 mm height from the floor)
- . Shipment on pallet, 75 pieces



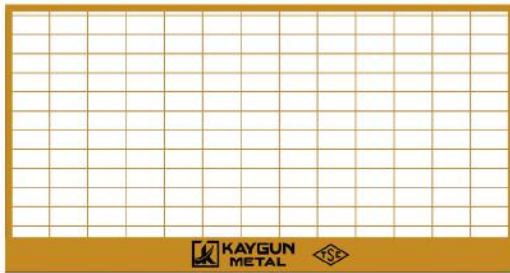
TECHNICAL DETAILS						
Eye Range	Profile	Wire Diameter	Sheet Thickness	Panel Height	Panel Width	Panel Weight
75x150 mm	15x25x1 mm	4 mm	1.5 mm	1060 mm	1500 mm	8.30 kg
		4 mm	2 mm	1060 mm	1500 mm	9.40 kg
		3 mm	1.5 mm	1060 mm	1500 mm	7.00 kg
		3 mm	2 mm	1060 mm	1500 mm	8.10 kg

SHEET BARRIERS WITH FIXED POSTS 2,00 M

Product Code : OZKBPRO2000

Barrier 2,00M

- . Electrostatic powder coated (Baked)
- . Stable frame structure
- . Integrated kick (150 mm height from the floor)
- . Shipment on pallet, 75 pieces



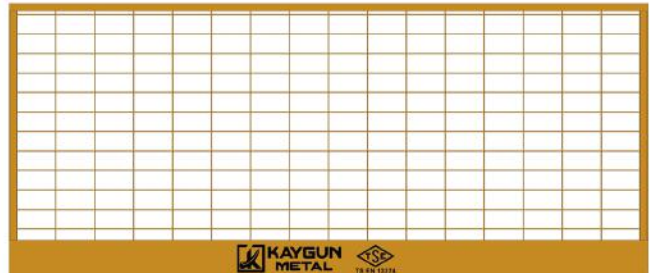
TECHNICAL DETAILS						
Eye Range	Profile	Wire Diameter	Sheet Thickness	Panel Height	Panel Width	Panel Weight
75x150 mm	15x25x1 mm	4 mm	1.5 mm	1060 mm	2000 mm	10.81 kg
		4 mm	2 mm	1060 mm	2000 mm	12.22 kg
		3 mm	1.5 mm	1060 mm	2000 mm	8.97 kg
		3 mm	2 mm	1060 mm	2000 mm	10.39 kg

SHEET BARRIERS WITH FIXED POSTS 2,50 M

Product Code : OZKBPRO2500

Barrier 2,50M

- . Electrostatic powder coated (Baked)
- . Stable frame structure
- . Integrated kick (150 mm height from the floor)
- . Shipment on pallet, 75 pieces



TECHNICAL DETAILS						
Eye Range	Profile	Wire Diameter	Sheet Thickness	Panel Height	Panel Width	Panel Weight
75x150 mm	15x25x1 mm	4 mm	1.5 mm	1060 mm	2460 mm	13.00 kg
		4 mm	2 mm	1060 mm	2460 mm	14.75 kg
		3 mm	1.5 mm	1060 mm	2460 mm	10.75 kg
		3 mm	2 mm	1060 mm	2460 mm	12.50 kg



Our products are manufactured as electrostatic powder coated with the desired RAL Codes.

SHEET BARRIERS WITH FIXED POSTS 1,25 M

 **Product Code : OZKBY1250**

Barrier 1,25M

- . Electrostatic powder coated (Baked)
- . Integrated kick (250 mm height from the floor)
- . Shipment on pallet, 125 pieces



TECHNICAL DETAILS

Eye Range	Wire Diameter	Sheet Thickness	Panel Height	Panel Width	Panel Weight
75x60 75x220 mm	4 mm	0.70 mm	1120 mm	1250 mm	4.90 kg
	5 mm	0.70 mm	1120 mm	1250 mm	6.80 kg

SHEET BARRIERS WITH FIXED POSTS 1,50 M

 **Product Code : OZKBY1500**

Barrier 1,50M

- . Electrostatic powder coated (Baked)
- . Integrated kick (250 mm height from the floor)
- . Shipment on pallet, 125 pieces



TECHNICAL DETAILS

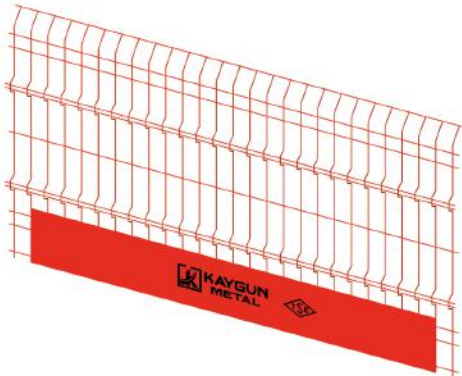
Eye Range	Wire Diameter	Sheet Thickness	Panel Height	Panel Width	Panel Weight
75x60 75x220 mm	4 mm	0.70 mm	1120 mm	1500 mm	6.00 kg
	5 mm	0.70 mm	1120 mm	1500 mm	8.35 kg

SHEET BARRIERS WITH FIXED POSTS 2,00 M

 **Product Code : OZKBY2000**

Barrier 2,00M

- . Electrostatic powder coated (Baked)
- . Integrated kick (250 mm height from the floor)
- . Shipment on pallet, 125 pieces



TECHNICAL DETAILS

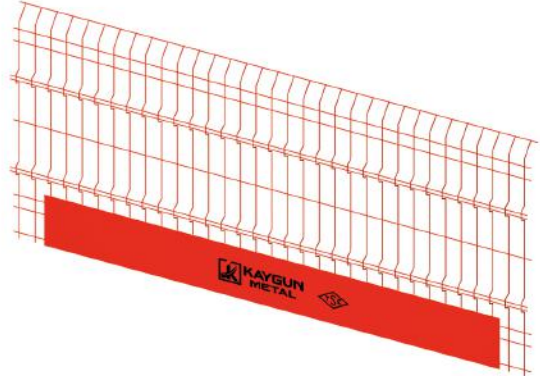
Eye Range	Wire Diameter	Sheet Thickness	Panel Height	Panel Width	Panel Weight
75x60 75x220 mm	4 mm	0.70 mm	1120 mm	2000 mm	7.95 kg
	5 mm	0.70 mm	1120 mm	2000 mm	11.00 kg

SHEET BARRIERS WITH FIXED POSTS 2,50 M

 **Product Code : OZKBY2500**

Barrier 2,50M

- . Electrostatic powder coated (Baked)
- . Integrated kick (250 mm height from the floor)
- . Shipment on pallet, 125 pieces



TECHNICAL DETAILS

Eye Range	Wire Diameter	Sheet Thickness	Panel Height	Panel Width	Panel Weight
75x60 75x220 mm	4 mm	0.70 mm	1120 mm	2500 mm	9.90 kg
	5 mm	0.70 mm	1120 mm	2500 mm	13.65 kg



Our products are manufactured as electrostatic powder coated with the desired RAL Codes.

SHEET BARRIERS WITH FIXED POSTS 1,25 M

 **Product Code : OZKBECO1250**

Barrier 1,25M


- . Electrostatic powder coated (Baked)
- . Integrated kick (240 mm height from the floor)
- . Shipment on pallet, 125 pieces



TECHNICAL DETAILS

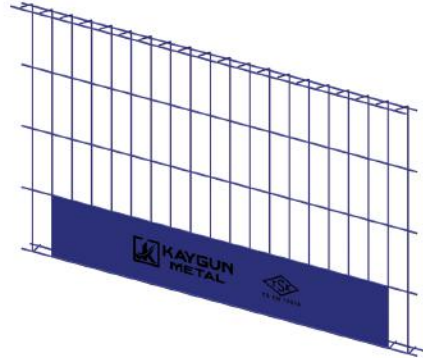
Eye Range	Wire Diameter	Sheet Thickness	Panel Height	Panel Width	Panel Weight
75x60 75x240 mm	3 mm	0.70 mm	1015 mm	1250 mm	3.00 kg
	4 mm	0.70 mm	1015 mm	1250 mm	4.20 kg
	5 mm	0.70 mm	1015 mm	1250 mm	5.75 kg

SHEET BARRIERS WITH FIXED POSTS 1,50 M

 **Product Code : OZKBECO1500**

Barrier 1,50M


- . Electrostatic powder coated (Baked)
- . Integrated kick (240 mm height from the floor)
- . Shipment on pallet, 125 pieces



TECHNICAL DETAILS

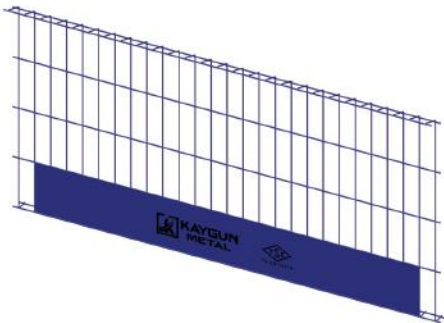
Eye Range	Wire Diameter	Sheet Thickness	Panel Height	Panel Width	Panel Weight
75x60 75x240 mm	3 mm	0.70 mm	1015 mm	1500 mm	3.55 kg
	4 mm	0.70 mm	1015 mm	1500 mm	5.00 kg
	5 mm	0.70 mm	1015 mm	1500 mm	6.85 kg

SHEET BARRIERS WITH FIXED POSTS 2,00 M

 **Product Code : OZKBECO2000**

Barrier 2,00M

- . Electrostatic powder coated (Baked)
- . Integrated kick (240 mm height from the floor)
- . Shipment on pallet, 125 pieces



TECHNICAL DETAILS

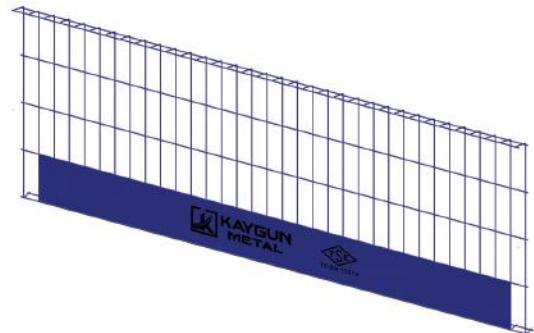
Eye Range	Wire Diameter	Sheet Thickness	Panel Height	Panel Width	Panel Weight
75x60 75x240 mm	3 mm	0.70 mm	1015 mm	2000 mm	4.85 kg
	4 mm	0.70 mm	1015 mm	2000 mm	6.85 kg
	5 mm	0.70 mm	1015 mm	2000 mm	9.35 kg

SHEET BARRIERS WITH FIXED POSTS 2,50 M

 **Product Code : OZKBECO2500**

Barrier 2,50M

- . Electrostatic powder coated (Baked)
- . Integrated kick (240 mm height from the floor)
- . Shipment on pallet, 125 pieces



TECHNICAL DETAILS

Eye Range	Wire Diameter	Sheet Thickness	Panel Height	Panel Width	Panel Weight
75x60 75x240 mm	3 mm	0.70 mm	1015 mm	2500 mm	6.20 kg
	4 mm	0.70 mm	1015 mm	2500 mm	8.65 kg
	5 mm	0.70 mm	1015 mm	2500 mm	11.80 kg



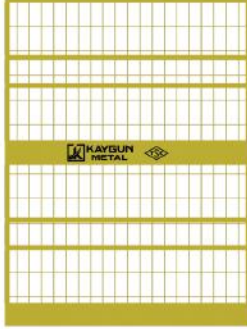
Our products are manufactured as electrostatic powder coated with the desired RAL Codes.

BARRIERS FOR ELEVATORS AND AIR SHAFTS

Product Code : OZKBA2000

Barrier 2,00M

- . Electrostatic powder coated (Baked)
- . Stable frame structure
- . Integrated kick (150 mm height from the floor)
- . Shipment on pallet, 75 pieces



TECHNICAL DETAILS

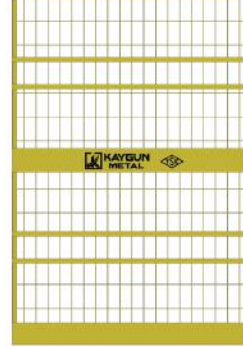
Eye Range	Flat Bar	Wire Diameter	Sheet Thickness	Panel Height	Panel Width	Panel Weight
75x150 mm	30x5 mm	4 mm	1.5 mm	2000 mm	1500 mm	23.65 kg
		4 mm	2 mm	2000 mm	1500 mm	27.20 kg
		3 mm	1.5 mm	2000 mm	1500 mm	21.05 kg
		3 mm	2 mm	2000 mm	1500 mm	24.60 kg

BARRIERS FOR ELEVATORS AND AIR SHAFTS

Product Code : OZKBA2200

Barrier 2,20M

- . Electrostatic powder coated (Baked)
- . Stable frame structure
- . Integrated kick (150 mm height from the floor)
- . Shipment on pallet, 75 pieces



TECHNICAL DETAILS

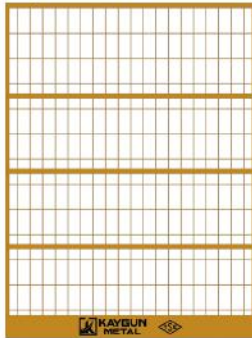
Eye Range	Profile	Wire Diameter	Sheet Thickness	Panel Height	Panel Width	Panel Weight
75x150 mm	30x5 mm	4 mm	1.5 mm	2200 mm	1500 mm	24.52 kg
		4 mm	2 mm	2200 mm	1500 mm	28.20 kg
		3 mm	1.5 mm	2200 mm	1500 mm	21.70 kg
		3 mm	2 mm	2200 mm	1500 mm	25.30 kg

BARRIERS FOR ELEVATORS AND AIR SHAFTS

Product Code : OZKBAPRO2000

Barrier 2,00M

- . Electrostatic powder coated (Baked)
- . Stable frame structure
- . Integrated kick (150 mm height from the floor)
- . Shipment on pallet, 75 pieces



TECHNICAL DETAILS

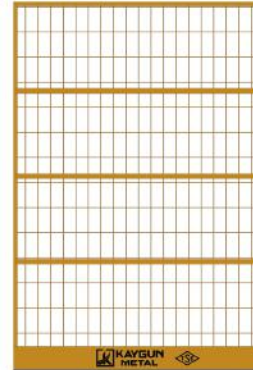
Eye Range	Flat Bar	Profile	Wire Diameter	Sheet Thickness	Panel Height	Panel Width	Panel Weight
75x150 mm	30x5 mm	15x25x1 mm	4 mm	1.5 mm	2000 mm	1500 mm	17.65 kg
			4 mm	2 mm	2000 mm	1500 mm	18.70 kg
			3 mm	1.5 mm	2000 mm	1500 mm	15.05 kg
			3 mm	2 mm	2000 mm	1500 mm	16.10 kg

BARRIERS FOR ELEVATORS AND AIR SHAFTS

Product Code : OZKBAPRO2200

Barrier 2,20M

- . Electrostatic powder coated (Baked)
- . Stable frame structure
- . Integrated kick (150 mm height from the floor)
- . Shipment on pallet, 75 pieces



TECHNICAL DETAILS

Eye Range	Flat Bar	Profile	Wire Diameter	Sheet Thickness	Panel Height	Panel Width	Panel Weight
75x150 mm	30x5 mm	15x25x1 mm	4 mm	1.5 mm	2200 mm	1500 mm	18.45 kg
			4 mm	2 mm	2200 mm	1500 mm	19.50 kg
			3 mm	1.5 mm	2200 mm	1500 mm	15.60 kg
			3 mm	2 mm	2200 mm	1500 mm	16.65 kg



Our products are manufactured as electrostatic powder coated with the desired RAL Codes.

CONNECTING PARTS AND POSTS

 **Product Code : OZKP1**

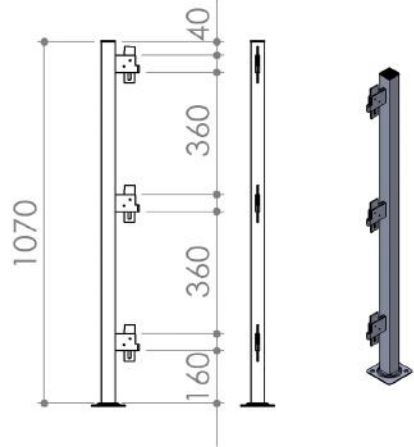
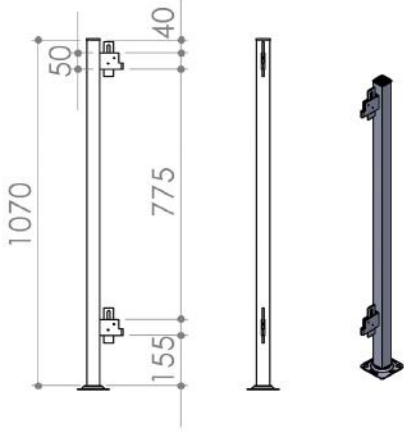
 **Product Code : OZKP2**

Barrier Post 1.07 M

- . Galvanized coated
- . Dual - center barrier locking
- . Shipment on pallet, 250 pieces

Barrier Post 1.07 M

- . Galvanized coated
- . Three - center link arm and kick lock.
- . Shipment on pallet, 250 pieces



TECHNICAL DETAILS			
Profile	Base Sheet Thickness	Lock Sheet Thickness	Weight
40x40x2 mm	4 mm	3mm - 4 mm	3.30 kg

TECHNICAL DETAILS			
Profile	Base Sheet Thickness	Lock Sheet Thickness	Weight
40x40x2 mm	4 mm	3mm - 4 mm	3.60 kg

CONNECTING PARTS AND POSTS

 **Product Code : OZKP3**

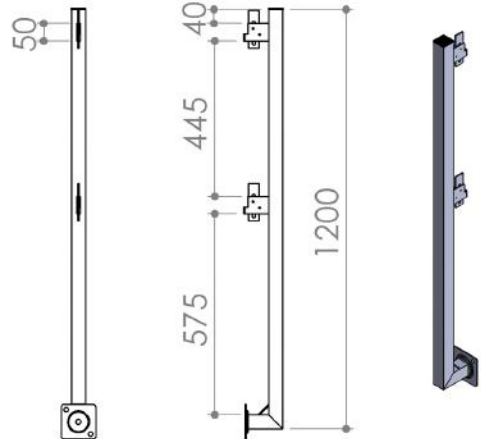
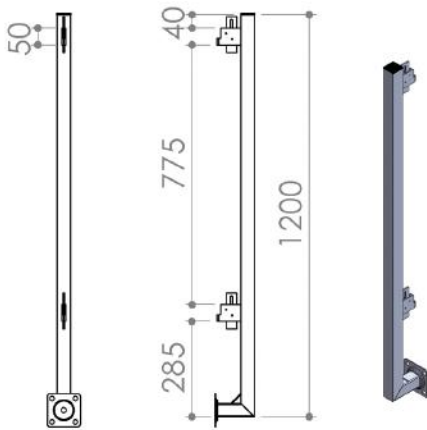
 **Product Code : OZKP4**

Barrier Post 1.20 M

- . Galvanized coated
- . Dual - center barrier locking
- . Shipment on pallet, 250 pieces

Barrier Post 1.20 M

- . Galvanized coated
- . Dual - center barrier locking
- . Shipment on pallet, 250 pieces



TECHNICAL DETAILS			
Profile	Base Sheet Thickness	Lock Sheet Thickness	Weight
40x40x2 mm	4 mm	3mm - 4 mm	3.95 kg

TECHNICAL DETAILS			
Profile	Base Sheet Thickness	Lock Sheet Thickness	Weight
40x40x2 mm	4 mm	3mm - 4 mm	3.95 kg

CONNECTING PARTS AND POSTS

 **Product Code : OZKP5**

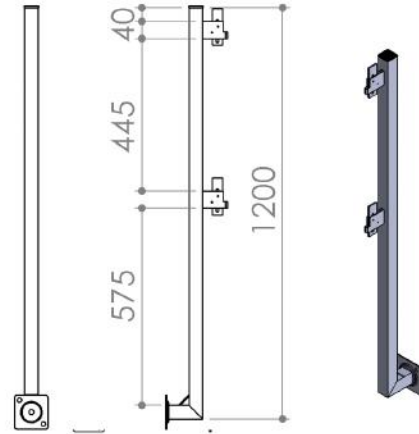
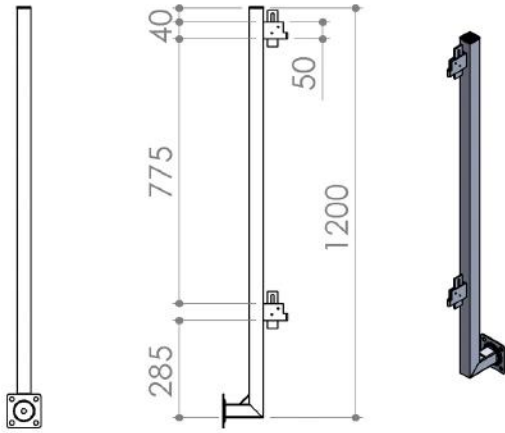
 **Product Code : OZKP6**

Barrier Post 1.20 M

- . Galvanized coated
- . Dual - center barrier locking
- . Shipment on pallet, 250 pieces

Barrier Post 1.20 M

- . Galvanized coated
- . Dual - center barrier locking
- . Shipment on pallet, 250 pieces



TECHNICAL DETAILS			
Profile	Base Sheet Thickness	Lock Sheet Thickness	Weight
40x40x2 mm	4 mm	3mm - 4 mm	3.95 kg

TECHNICAL DETAILS			
Profile	Base Sheet Thickness	Lock Sheet Thickness	Weight
40x40x2 mm	4 mm	3mm - 4 mm	3.95 kg

CONNECTING PARTS AND POSTS

 **Product Code : OZKP7**

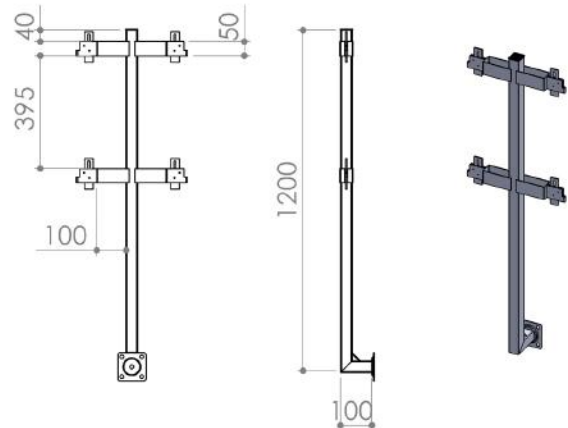
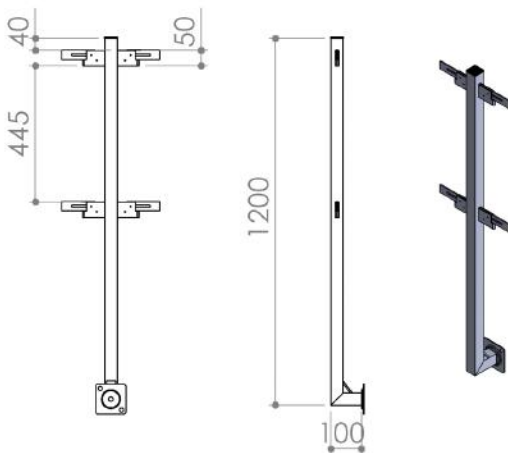
 **Product Code : OZKP8**

Barrier Post 1.20 M

- . Galvanized coated
- . Four-center link arm
- . Shipment on pallet, 250 pieces

Barrier Post 1.20 M

- . Galvanized coated
- . Four-center link arm
- . Shipment on pallet, 250 pieces



TECHNICAL DETAILS			
Profile	Base Sheet Thickness	Lock Sheet Thickness	Weight
40x40x2 mm	4 mm	3mm - 4 mm	4.50 kg

TECHNICAL DETAILS			
Profile	Base Sheet Thickness	Lock Sheet Thickness	Weight
40x40x2 mm	4 mm	3mm - 4 mm	5.50 kg

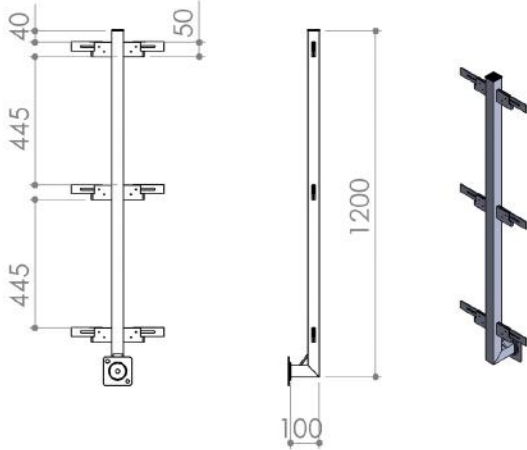
CONNECTING PARTS AND POSTS

 **Product Code : OZKP9**

 **Product Code : OZKP10**

Barrier Post 1.20 M

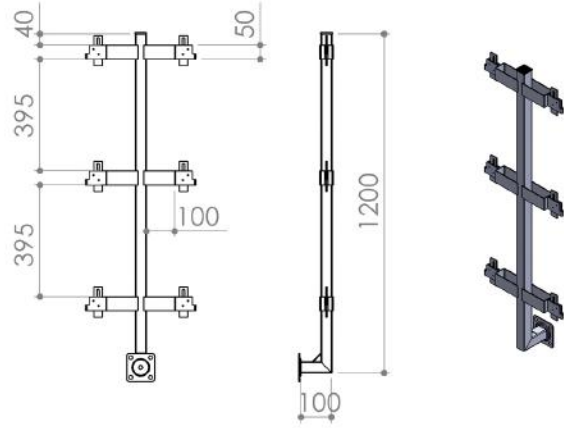
- . Galvanized coated
- . Four-center link arm and dual-center kick arm
- . Shipment on pallet, 250 pieces



TECHNICAL DETAILS			
Profile	Base Sheet Thickness	Lock Sheet Thickness	Weight
40x40x2 mm	4 mm	3mm - 4 mm	5,00 kg

Barrier Post 1.20 M

- . Galvanized coated
- . Four-center link arm and dual-center kick arm
- . Shipment on pallet, 250 pieces



TECHNICAL DETAILS			
Profile	Base Sheet Thickness	Lock Sheet Thickness	Weight
40x40x2 mm	4 mm	3mm - 4 mm	6,50 kg

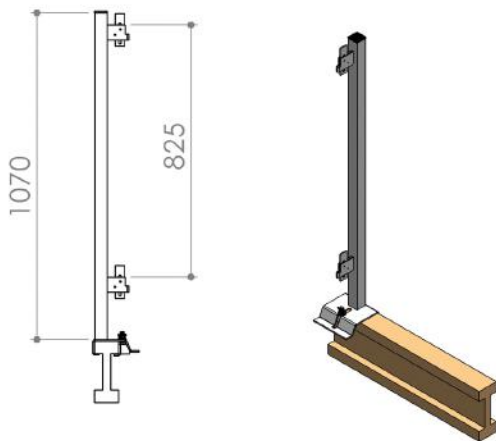
CONNECTING PARTS AND POSTS

 **Product Code : OZKP11**

 **Product Code : OZKP12**

Barrier Post 1.07 M

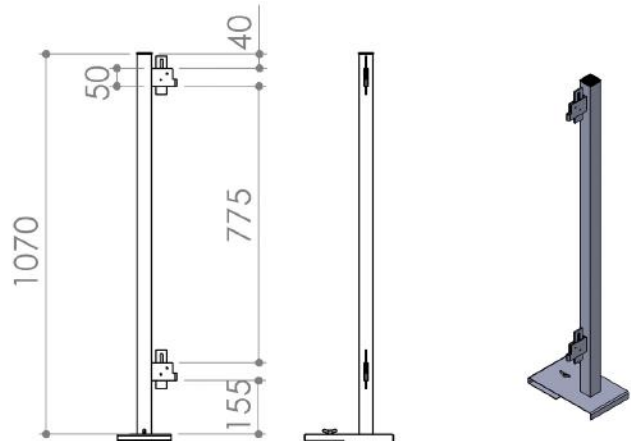
- . Galvanized coated
- . Dual - center barrier locking
- . Post fixed to wood beam
- . Shipment on pallet, 250 pieces



TECHNICAL DETAILS				
Profile	Base Sheet Thickness	Bolt Features	Lock Sheet Thickness	Weight
40x40x2 mm	5 mm	M.12x100	3mm - 4 mm	4,70 kg

Barrier Post 1.07 M

- . Galvanized coated
- . Dual - center barrier locking
- . Post fixed to steel beam
- . Shipment on pallet, 250 pieces



TECHNICAL DETAILS				
Profile	Base Sheet Thickness	Bolt Features	Lock Sheet Thickness	Weight
40x40x2 mm	3 mm	M.12x50	3mm - 4 mm	4,50 kg

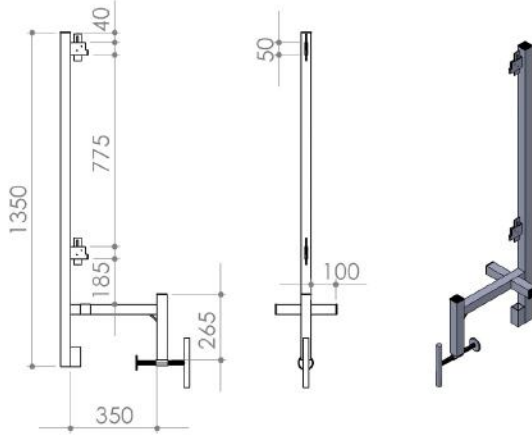
CONNECTING PARTS AND POSTS

 Product Code : OZKP13

 Product Code : OZKP14

Barrier Post 1.35 M

- . Galvanized coated
- . Dual - center barrier locking
- . Fixed from one point
- . Shipment on pallet, 250 pieces

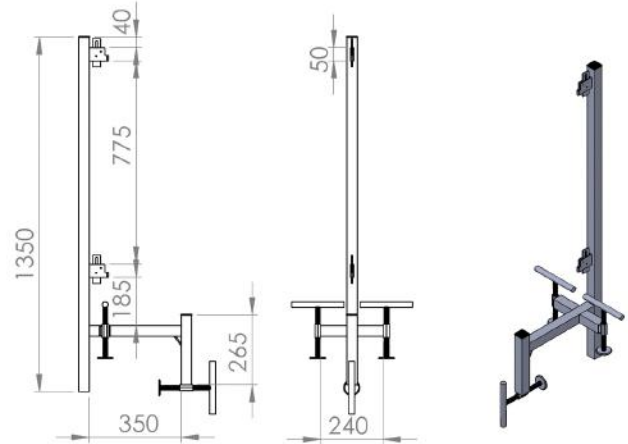


TECHNICAL DETAILS

Profile	Anchor Diameter	Anchor Length	Lock Sheet Thickness	Weight
40x40x2 mm	Ø 18 mm	200 mm	3mm - 4 mm	6.70 kg

Barrier Post 1.35 M


- . Galvanized coated
- . Dual - center barrier locking
- . Fixed from three point
- . Shipment on pallet, 250 pieces



TECHNICAL DETAILS

Profile	Anchor Diameter	Anchor Length	Lock Sheet Thickness	Weight
40x40x2 mm	Ø 18 mm	200 mm	3mm - 4 mm	8.45 kg

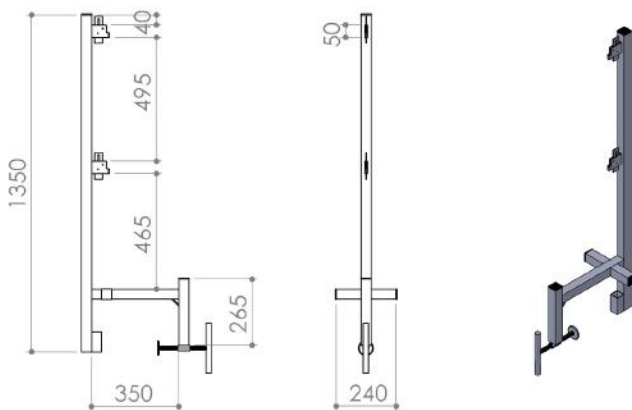
CONNECTING PARTS AND POSTS

 Product Code : OZKP15

 Product Code : OZKP16

Barrier Post 1.35 M

- . Galvanized coated
- . Dual - center barrier locking
- . Fixed from one point
- . Shipment on pallet, 250 pieces

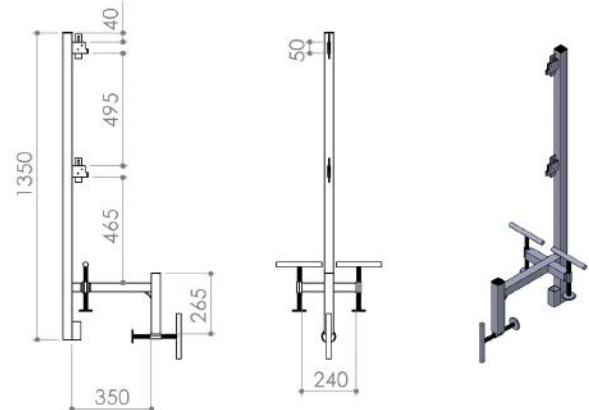


TECHNICAL DETAILS

Profile	Anchor Diameter	Anchor Length	Lock Sheet Thickness	Weight
40x40x2 mm	Ø 18 mm	200 mm	3mm - 4 mm	6.70 kg

Barrier Post 1.35 M

- . Galvanized coated
- . Dual - center barrier locking
- . Fixed from three point
- . Shipment on pallet, 250 pieces



TECHNICAL DETAILS

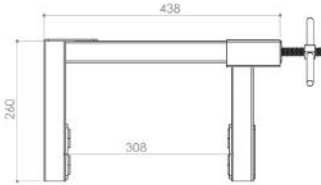
Profile	Anchor Diameter	Anchor Length	Lock Sheet Thickness	Weight
40x40x2 mm	Ø 18 mm	200 mm	3mm - 4 mm	8.45 kg

CONNECTING PARTS AND POSTS

 **Product Code : OZKP17**

Barrier Post

- . Galvanized coated
- . Shipment on pallet, 250 pieces



TECHNICAL DETAILS				
Profile	Sheet Thickness	Anchor Diameter	Anchor Length	Weight
40x40x2 mm 50x50x2 mm	4 mm	∅ 16 mm	200 mm	4.10 kg

 **Product Code : OZKP18**

Adjustable Equipment Post 1.75 M

- . Galvanized coated or electrostatic powder coated
- . Dual-center barrier locking
- . Shipment on pallet, 250 pieces



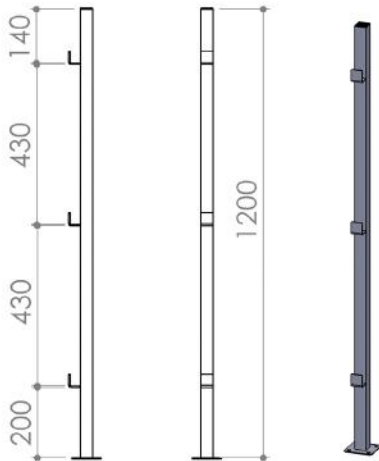
TECHNICAL DETAILS							
Pipe 1 Diameter	Pipe 1 Length	Pipe 2 Diameter	Pipe 2 Length	Base Sheet Thickness	Top Sheet Thickness	Lock Sheet Thickness	Weight
∅ 48x2 mm	1750 mm	∅ 42x2 mm	1500 mm	5 mm	3 mm	3mm - 4 mm	10.10 kg

CONNECTING PARTS AND POSTS

 **Product Code : OZKP19**

Barrier Post 1.20 M

- . Galvanized coated
- . Three-center plank holder
- . Shipment on pallet, 250 pieces

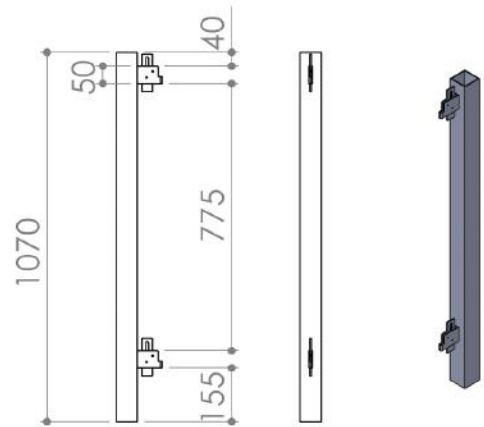


TECHNICAL DETAILS			
Profile	Base Sheet Thickness	Lock Sheet Thickness	Weight
40x40x2 mm	4 mm	3mm	3.45 kg

 **Product Code : OZKP20**

Barrier Post 1.07 M

- . Galvanized coated
- . Dual - center barrier locking
- . Shipment on pallet, 250 pieces



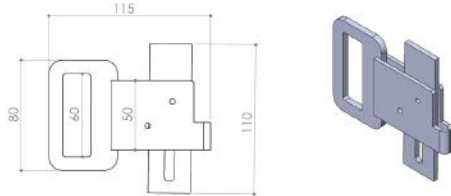
TECHNICAL DETAILS		
Profile	Lock Sheet Thickness	Weight
60x60x2 mm	3mm - 4 mm	4.40 kg

CONNECTING PARTS AND POSTS

 **Product Code : OZKA1**

Barrier Bracket

- . Used for barrier edges and corner transitions
- . Galvanized coating.



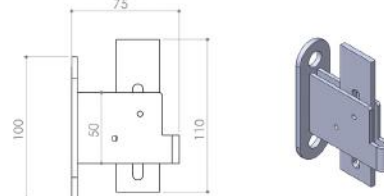
TECHNICAL DETAILS

Sheet Thickness	Lock Sheet Thickness	Weight
5 mm	3mm - 4 mm	0.36 kg

 **Product Code : OZKA2**

Wall Bracket

- . It is used for closing intermediate gaps and emergency exits.
- . Galvanized coating



TECHNICAL DETAILS

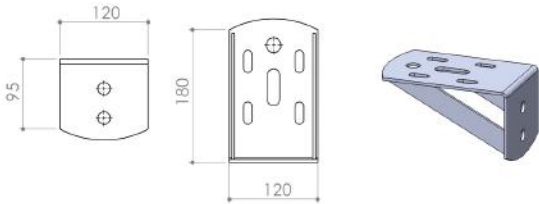
Sheet Thickness	Lock Sheet Thickness	Weight
4 mm	3mm - 4 mm	0.42 kg

CONNECTING PARTS AND POSTS

 **Product Code : OZKA3**

Console Bracket

- . Adjustable or fixed
- . The posts is mounted
- . Galvanized coating



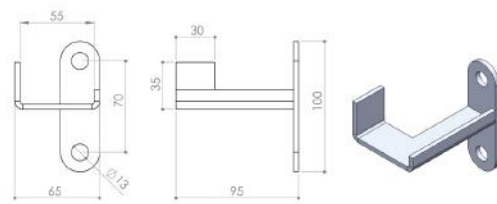
TECHNICAL DETAILS

Sheet Thickness	Weight
4 mm	1.60 kg

 **Product Code : OZKA4**

Console Bracket

- . Adjustable or fixed
- . The posts is mounted
- . Galvanized coating



TECHNICAL DETAILS

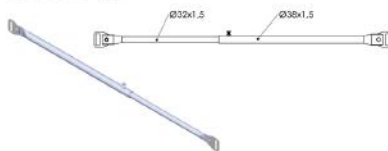
Sheet Thickness	Lock Sheet Thickness	Weight
4 mm	4 mm	0.45 kg

CONNECTING PARTS AND POSTS

 **Product Code : OZKAB**

Adjustable Connecting Arm

- . For stairs and openings.
- . Easy to carry.
- . Swivel bracket at the ends.
- . Galvanized coating.



TECHNICAL DETAILS

Sheet Thickness	Pipe 1 Diameter	Pipe 1 Length	Pipe 2 Diameter	Pipe 2 Length	Weight
5 mm	38x1.5 mm	500 mm	32x1.5 mm	500 mm	1.75 kg
		750 mm		750 mm	2.35 kg
		1250 mm		1250 mm	3.60 kg
		1650 mm		1650 mm	4.60 kg

 **Product Code : OZKAT**

Adjustable Shelf

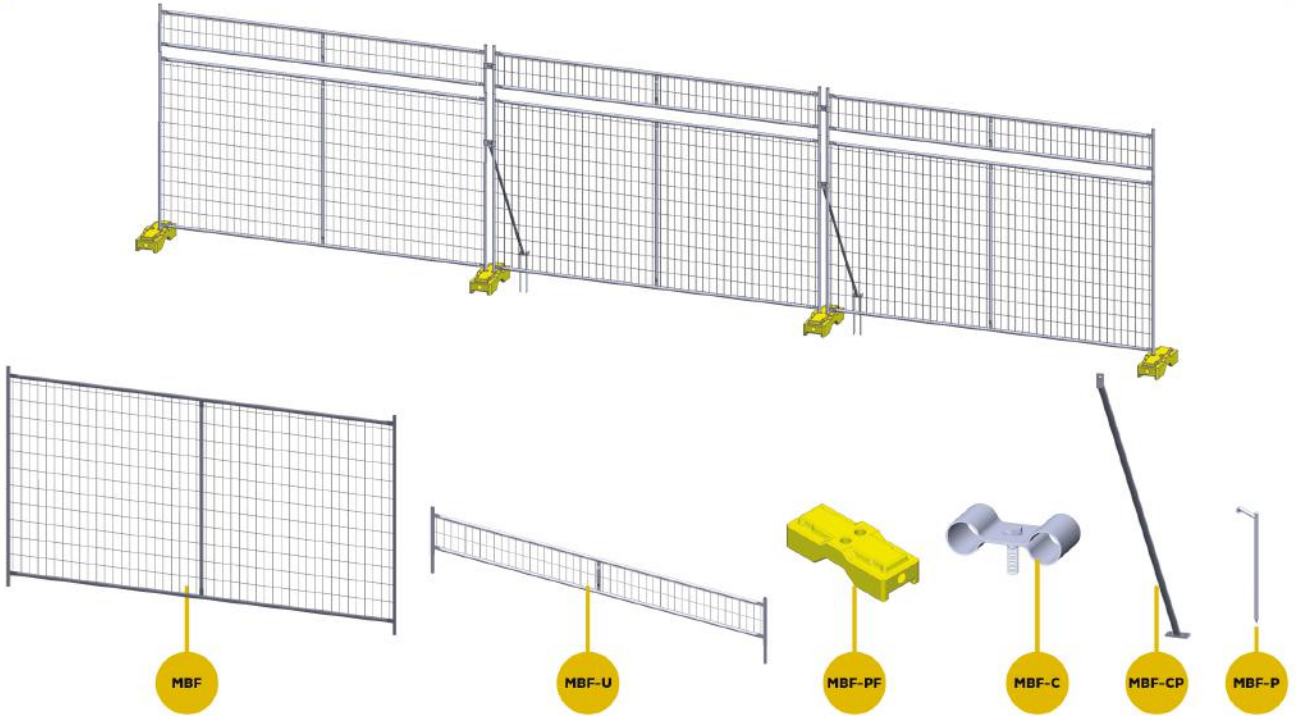
- . For stair edges and openings.
- . Easy to carry.
- . Swivel bracket at the ends.
- . Galvanized coating.



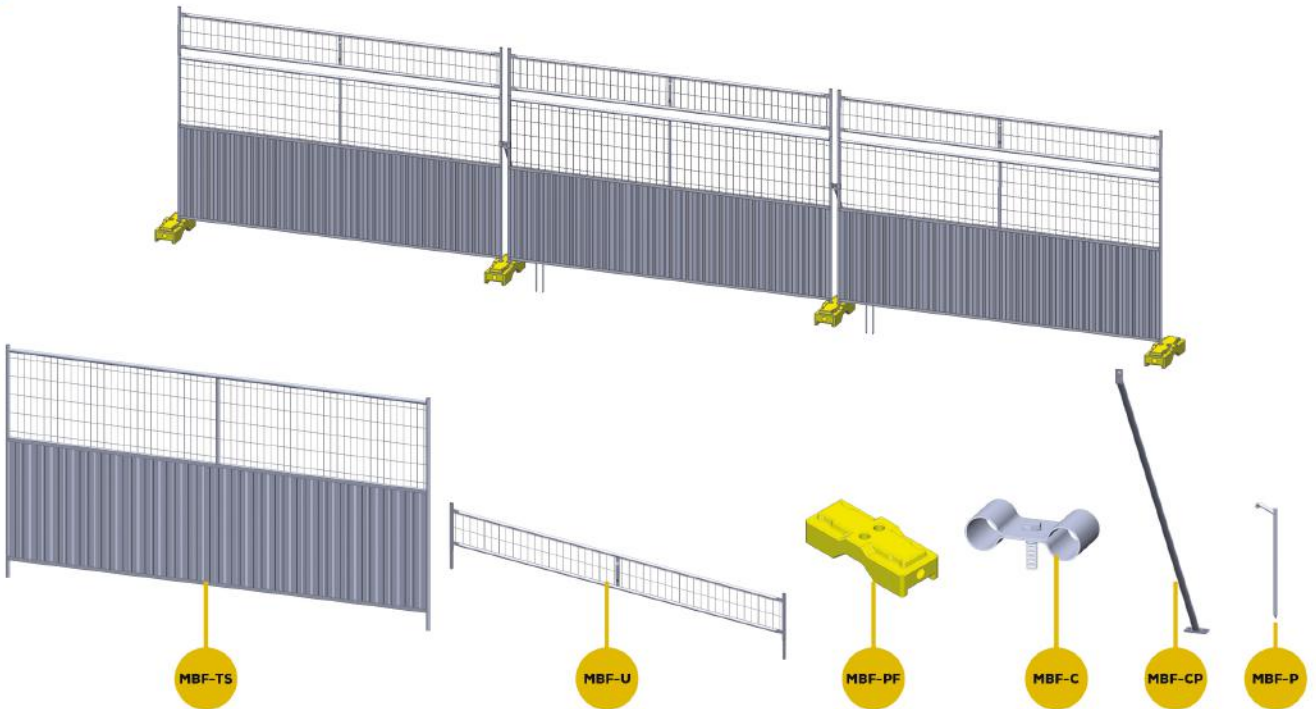
TECHNICAL DETAILS

Base Sheet Thickness	Sheet 1 Thickness	Sheet 1 Length	Sheet 2 Thickness	Sheet 2 Length	Weight
5 mm	1.2 mm	500 mm	1.2 mm	500 mm	2.95 kg
		750 mm		750 mm	4.15 kg
		1250 mm		1250 mm	6.50 kg
		1650 mm		1650 mm	8.40 kg

MOBILE FENCE SYSTEMS

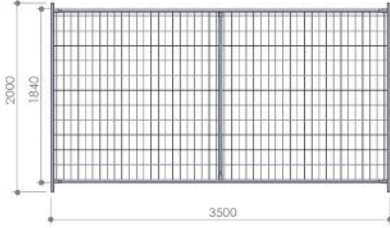
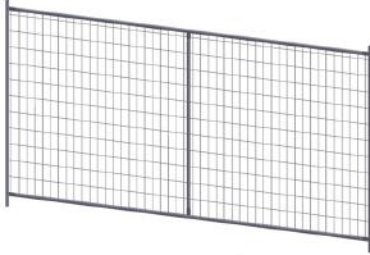


MOBILE FENCE SYSTEMS



MOBILE FENCE SYSTEMS

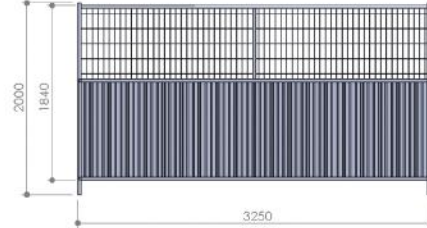
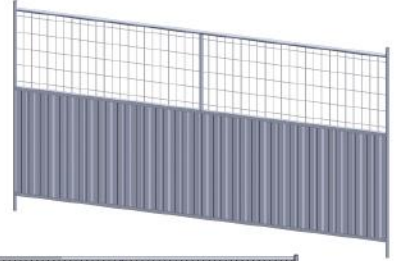
Product Code : MBF



TECHNICAL DETAILS

Coating Feature	Eye Range	Wire Diameter	Pipe Diameter	Panel Height	Panel Width	Panel Weight
Galvanized	50x150 mm	3 mm	Ø 32 x 1.5 mm	2000 mm	3500 mm	21.50 kg
			Ø 34 x 1.5 mm	2000 mm	3500 mm	22.80 kg
			Ø 38 x 1.5 mm	2000 mm	3500 mm	24.20 kg
			Ø 42 x 1.5 mm	2000 mm	3500 mm	26.10 kg

Product Code : MBF-TS

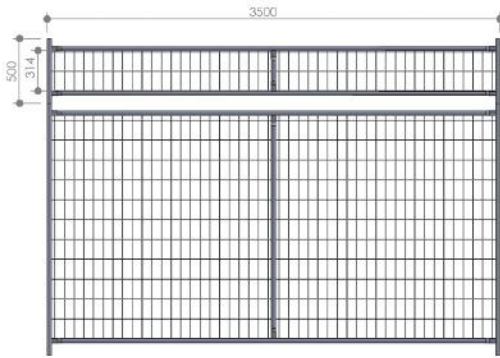
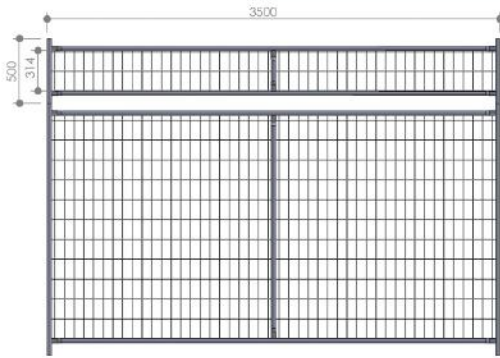


TECHNICAL DETAILS

Coating Feature	Trapezoidal Sheet Form	Trapezoidal Sheet Thickness	Pipe Diameter	Panel Height	Panel Width	Panel Weight
Galvanized	27/200	0.45 mm	Ø 32x1.5 mm	2000 mm	3250 mm	34.90 kg
			Ø 34x1.5 mm			35.80 kg
			Ø 38x1.5 mm			36.70 kg
			Ø 42x1.5 mm			37.90 kg

MOBILE FENCE SYSTEMS

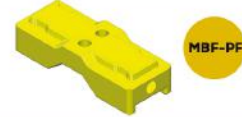
Product Code : MBF-U



TECHNICAL DETAILS

Coating Feature	Eye Range	Wire Diameter	Pipe Diameter	Panel Height	Panel Width	Panel Weight
Galvanized	50x150 mm	3 mm	Ø 32 x 1.5 mm	500 mm	3500 mm	7.10 kg
			Ø 34 x 1.5 mm	500 mm	3500 mm	7.65 kg
			Ø 38 x 1.5 mm	500 mm	3500 mm	8.30 kg
			Ø 42 x 1.5 mm	500 mm	3500 mm	9.00 kg

Product Code : MBF-PF MBF-C MBF-CP MBF-P



TECHNICAL DETAILS

Code	Material	Colour	Filling Material	Width	Length	Depth	Weight
MBF-PF	Plastic	Yellow	Concrete	22 cm	60 cm	12 cm	25 kg



TECHNICAL DETAILS

Code	Coating Feature	Sheet Thickness	Bolt Feature	Width	Length	Weight
MBF-C	Galvanized	3 mm	M.12X60	50 mm	150 mm	0.43 kg



TECHNICAL DETAILS

Code	Coating Feature	Top Sheet Dimensions	Base Sheet Dimensions	Pipe Diameter	Pipe Length	Weight
MBF-CP	Galvanized	32x65x5 mm	50x100x5 mm	Ø32x1.5 mm	1750 mm	2.25 kg

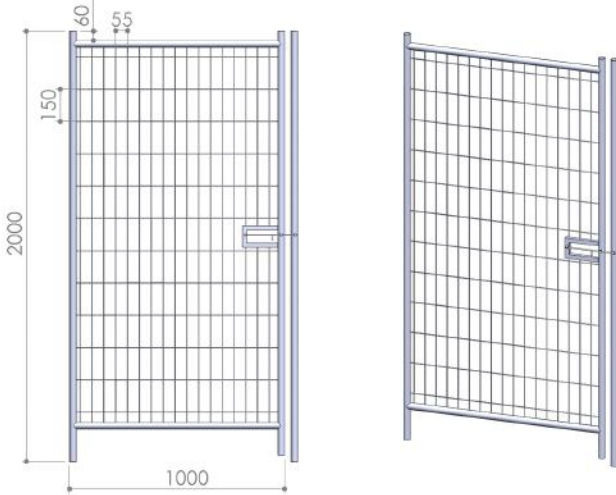


TECHNICAL DETAILS

Code	Coating Feature	Rebar Diameter	Rebar Dimensions	Weight
MBF-P	Galvanized	Ø 12 mm	450 mm	0.50 kg

MOBILE FENCE DOOR SYSTEMS

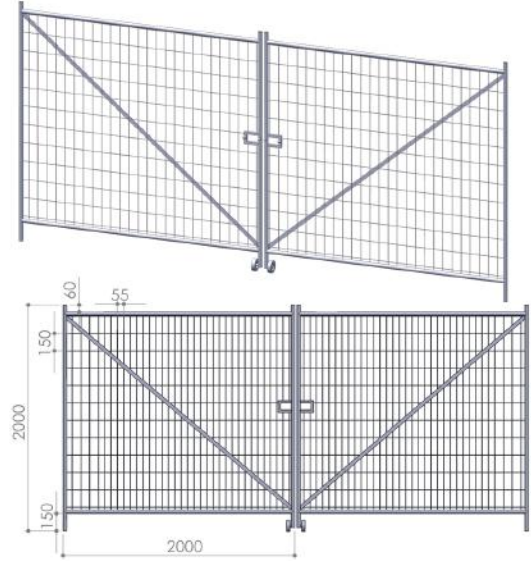
Product Code : MBF-D1



TECHNICAL DETAILS

Coating Feature	Eye Range	Wire Diameter	Pipe Diameter	Panel Height	Panel Width	Panel Weight
Galvanized	50x150 mm	3 mm	Ø 32 x 1.5 mm	2000 mm	1000 mm	12.50 kg

Product Code : MBF-D2

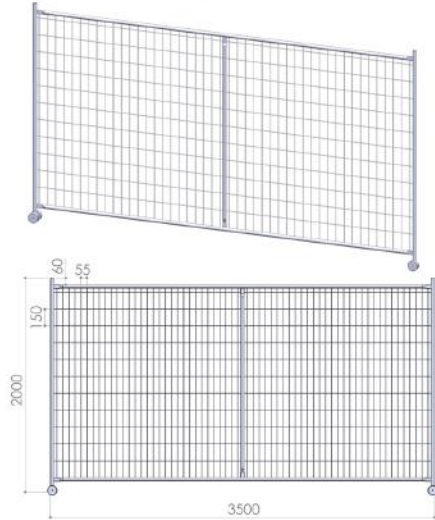


TECHNICAL DETAILS

Coating Feature	Eye Range	Wire Diameter	Pipe Diameter	Panel Height	Panel Width	Panel Weight
Galvanized	50x150 mm	3 mm	Ø 32 x 1.5 mm	2000 mm	4000 mm	33.50 kg

MOBILE FENCE DOOR SYSTEMS

Product Code : MBF-D3



TECHNICAL DETAILS

Coating Feature	Eye Range	Wire Diameter	Pipe Diameter	Panel Height	Panel Width	Panel Weight
Galvanized	50x150 mm	3 mm	Ø 32 x 1.5 mm	2000 mm	3500 mm	21.50 kg

Product Code : MBF



TECHNICAL DETAILS

Coating Feature	Pipe Diameter	Pipe Length	Base Sheet Thickness	Base Sheet Length	Base Sheet Width	Weight
Galvanized	Ø 27 x 2 mm	250 mm	8 mm	600 mm	250 mm	10.00 kg

MBF-D3R



TECHNICAL DETAILS

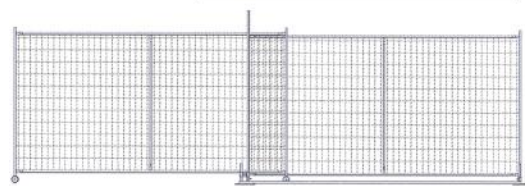
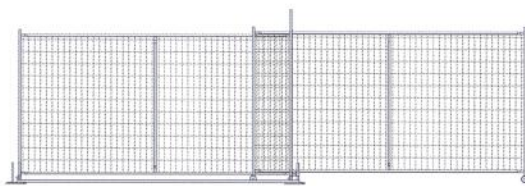
Coating Feature	Pipe Diameter	Pipe Length	Sheet Thickness	Sheet Length	Sheet Width	Weight
Galvanized	Ø 27 x 2 mm	250 mm	3 mm	3600 mm	110 mm	10.30 kg

MBF-D3P



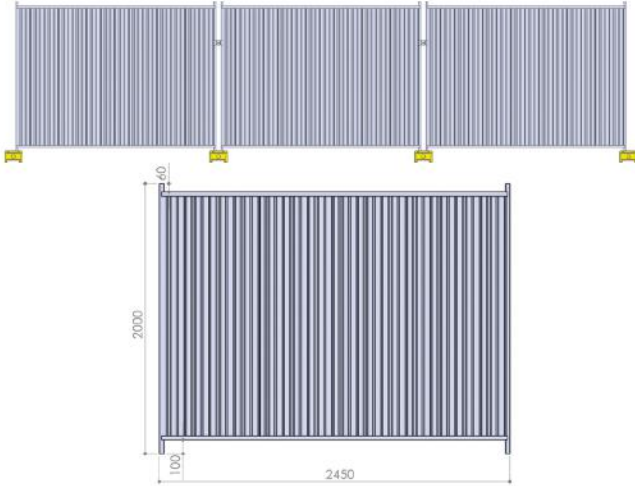
TECHNICAL DETAILS

Coating Feature	Pipe Diameter	Pipe Length	Weight
Galvanized	Ø 32x1.5 mm	2100 mm	2.75 kg



MOBILE FENCE SYSTEMS

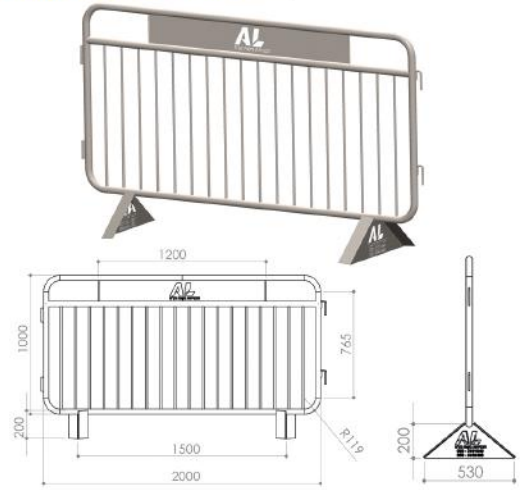
Product Code : MBF-TRP



TECHNICAL DETAILS

Coating Feature	Trapezoidal Sheet Form	Trapezoidal Sheet Thickness	Pipe Diameter	Panel Height	Panel Width	Panel Weight
Galvanized	27/200	0.45 mm	Ø 32x1.5 mm	2000 mm	860 mm	13.50 kg
				2000 mm	1660 mm	22.50 kg
				2000 mm	2450 mm	31.30 kg
				2000 mm	3245 mm	40.30 kg

Product Code : MBF-POL

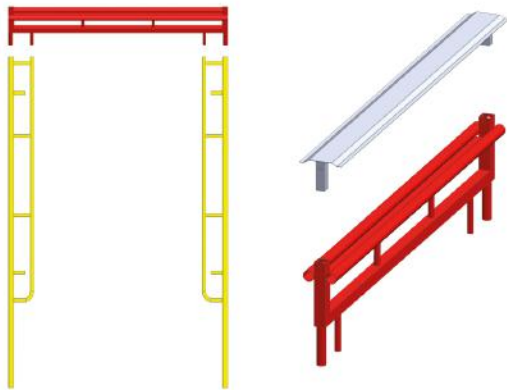


TECHNICAL DETAILS

Spacing	Base Sheet Thickness	Main Pipe Diameter	Spacer Pipe Diameter	Panel Height	Panel Width	Panel Weight
100 mm	2.5 mm	Ø 34x1.5 mm	Ø 13x1 mm	1200 mm	2000 mm	18.00 kg
			Ø 16x1.5 mm			22.00 kg
			Ø 21x1.5 mm			25.00 kg

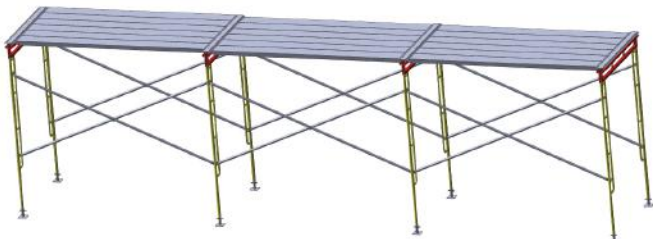
SCAFFOLDING SYSTEMS

Product Code : OZKIC

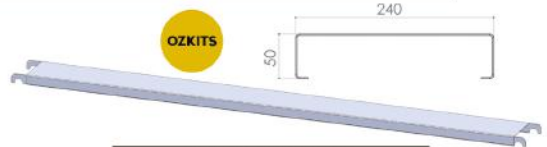


TECHNICAL DETAILS

Coating & Feature	Main Pipe Diameter	Spacer Pipe Diameter	Panel Height	Panel Width	Panel Weight
Electrolytic Coating or Galvanized	Ø 38x1.5 mm	Ø 27x1.5 mm	2500 mm	1550 mm	25.00 kg
				1800 mm	27.25 kg



Product Code : OZKITS - OZKICB - OZKITM



TECHNICAL DETAILS

Coating Feature	Sheet Thickness	Width	Length	Weight
Galvanized	1.2 mm	240 mm	1000 mm	7.60 kg
			1500 mm	9.50 kg
			2000 mm	11.30 kg
			2500 mm	13.25 kg
			2650 mm	14.50 kg



OZKICB

TECHNICAL DETAILS

Coating Feature	Pipe Diameter	Length	Weight
Galvanized	Ø 38x1.5 mm	1750 mm	2.35 kg
		2125 mm	2.85 kg
		2540 mm	3.40 kg
		2980 mm	4.00 kg
		3300 mm	4.45 kg



OZKITM

TECHNICAL DETAILS

Coating Feature	Base Sheet Thickness	Pipe Diameter	Pipe Height	Panel Weight
Galvanized	5 mm	Ø 34x3 mm	500 mm	2.50 kg

CERTIFICATES



T.C. TÜRK PATENT VE MARKA KURUMU
MARKA TESCİL BELGESİ
 Marka No : 2499 07178 - Ticaret

KAYGUN METAL

Marka Sahibi: KAYGUN ÇELİK METAL İNŞAAT MOBİLYA SANAYİ VE TİCARET LİMİTED SİRKETİ
 Adres: KAYGUN ÇELİK METAL İNŞAAT MOBİLYA SANAYİ VE TİCARET LİMİTED SİRKETİ
 İZMİR İLİ, ÜÇKÖY MAHALLESİ, ÇARŞI CADDESİ NO: 2499 07178 - Ticaret

İzmir Marka 2499/2019 tarihinde İhtihaz ON VYL sifreyle 18/06/2019 tarihinde tescil edilmiştir.

TURK PATENT

Trademark Registration Certificate



TÜRK STANDARLARI ENSTİTÜSÜ
TURKISH STANDARDS INSTITUTION
 CERTIFICATE OF CONFORMITY TO TURKISH STANDARDS

SEKİLE KAYUNCI / ÇELİKLE TİRE İNŞAAT MOBİLYA SANAYİ VE TİCARET LİMİTED SİRKETİ
 KAYGUN ÇELİK METAL İNŞAAT MOBİLYA SANAYİ VE TİCARET LİMİTED SİRKETİ

MARKA NO: 2499-07178-18/06/2019

SEKİLE KAYUNCI / ÇELİKLE TİRE İNŞAAT MOBİLYA SANAYİ VE TİCARET LİMİTED SİRKETİ
 KAYGUN ÇELİK METAL İNŞAAT MOBİLYA SANAYİ VE TİCARET LİMİTED SİRKETİ

27.03.2019

TS EN 13374 Certificate

TS EN 13374 Certificate



TUV NORD

CERTIFICATE
 TÜV Teknik Kontrol ve Belgelendirme A.Ş.
 Conformity of the Factory Production Control

18.03.2019

EN 1090-2 Certificate

EN 1090-2 Certificate



TUV NORD

Annex 1
 TÜV Teknik Kontrol ve Belgelendirme A.Ş.
 EN ISO 3834-2

18.03.2019

EN 3834 - 2 Certificate

EN 3834 - 2 Certificate



BQS

ATTESTATION OF COMPLIANCE
 KAYGUN ÇELİK METAL İNŞAAT MOBİLYA SANAYİ VE TİCARET LİMİTED SİRKETİ

18.03.2019

CE Certificate

CE Certificate



INTERNATIONAL FIRST CERTIFICATION

CERTIFICATE

18.03.2019

ISO 9001:2015 Certificate

ISO 9001:2015 Certificate



INTERNATIONAL FIRST CERTIFICATION

CERTIFICATE

18.03.2019

ISO 14001:2015 Certificate

ISO 14001:2015 Certificate



INTERNATIONAL FIRST CERTIFICATION

CERTIFICATE

18.03.2019

OHSAS 18001:2007 Certificate

OHSAS 18001:2007 Certificate



INTERNATIONAL FIRST CERTIFICATION

CERTIFICATE


18.03.2019

ISO 10002 Certificate

ISO 10002 Certificate



KAYGUN METAL

 Org. San. Bol. 12.Cad. No:28 Kayseri / TURKEY

 +90 352 311 46 56

 +90 352 311 46 57

 info@kaygunmetal.com

www.kaygunmetal.com